



فرست اوتوماشن

Light Fittings

Series CZ0879/5,6



Prodcuts Features

- It is convenient to be mounted and maintained.
- It can be fitted with lamp shade.
- The degree of protection is up to IP66.
- IECEX, ATEX International certification.
- Customized high light efficiency light source whose light efficiency $\geq 135\text{lm/w}$ (Meet China's first-class energy efficiency standards)

Product Parameter

Product type:	LED Explosion-proof light fittings
Certification:	China IECEX ATEX
Application range (zones):	3G/Gc/zone 1; 2D/Db/zone 21
Min.ambient temperature:	T6: $-40^{\circ}\text{C}/-60^{\circ}\text{C}$
Max.ambient temperature:	T6: $+40^{\circ}\text{C}$ T5: $+55^{\circ}\text{C}$
Degree of protection:	IP66
Rated voltage:	100V ~ 250V AC 50/60Hz
Color temperature:	Standard 5000K, (Optional 3000K,4000K,6500K)
Material of enclosure:	Aluminum alloy / tempered glass (transparent lampshade)



فرست اوتوماشن

Light Fittings

Series CZ0879/5,6



Contact

info@first-automation.com.eg/ • 01101619222 – 01100200886 • <https://first-automation.com.eg/>



فرست اوتوماشن

Light Fittings

Series CZ0879/5,6



接线端子方便接线 The terminals are more convenient for wiring.



防爆平台灯头安装 C-90°
The mounting ways of the explosion-proof platform light fittings C-90°



灯具可按要求配置灯伞
The light fitting can be equipped with the lamp shade as request



灯具可按要求配置不锈钢网罩
The stainless steel mesh can be equipped as per request.



支架安装，多个角度可调节
Bracket installation, multiple angle adjustment



吊链式安装 Chain type



防爆平台灯头安装 D-25°
The mounting ways of the explosion-proof platform light fittings D-25°



墙壁灯安装 Wall type lamp



吊杆灯安装 Pendant pole type lamp



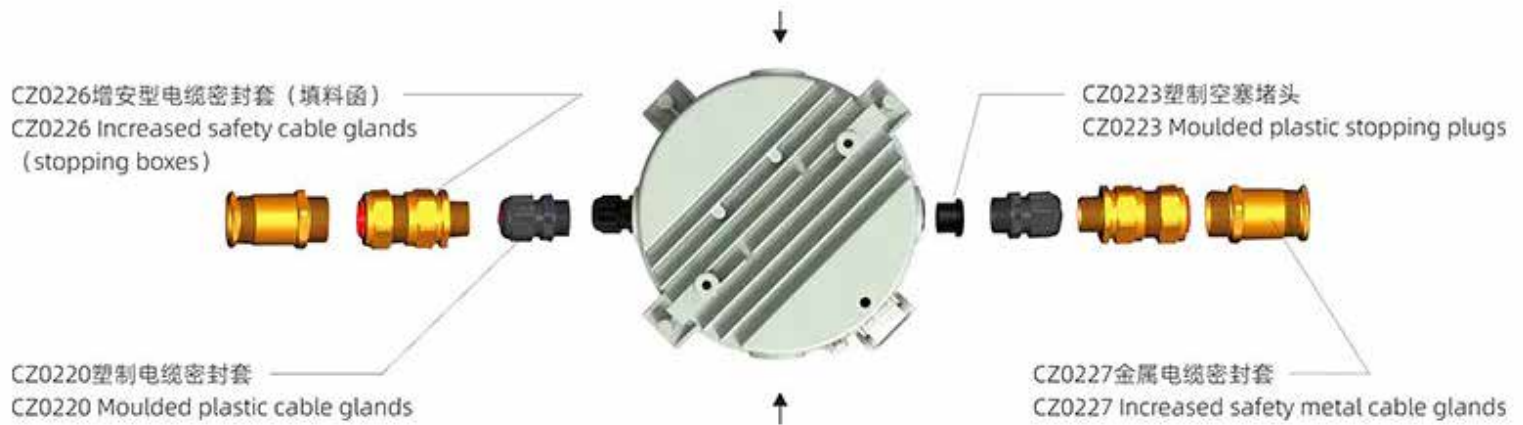
فرست اوتوماشن

Light Fittings

Series CZ0879/5,6

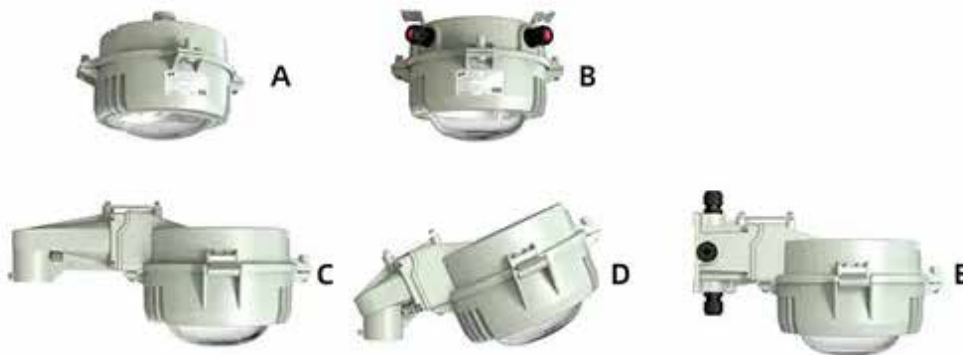


四个引线方向和多种电缆引入装置 Four directions for wiring and many cable glands



Illustration

Order No.



CZ0879/5□-LED30W5-17-□-□+□

CZ0879/5□-LED45W5-17-□-□+□

CZ0879/5□-LED60W5-17-□-□+□

CZ0879/5□-LED75W5-17-□-□+□

CZ0879/5□-LED90W5-17-□-□+□

CZ0879/6□-LED90W5-17-□-□+□

CZ0879/6□-LED120W5-17-□-□+□

Contact

info@first-automation.com.eg/ • 01101619222 – 01100200886 • https://first-automation.com.eg/



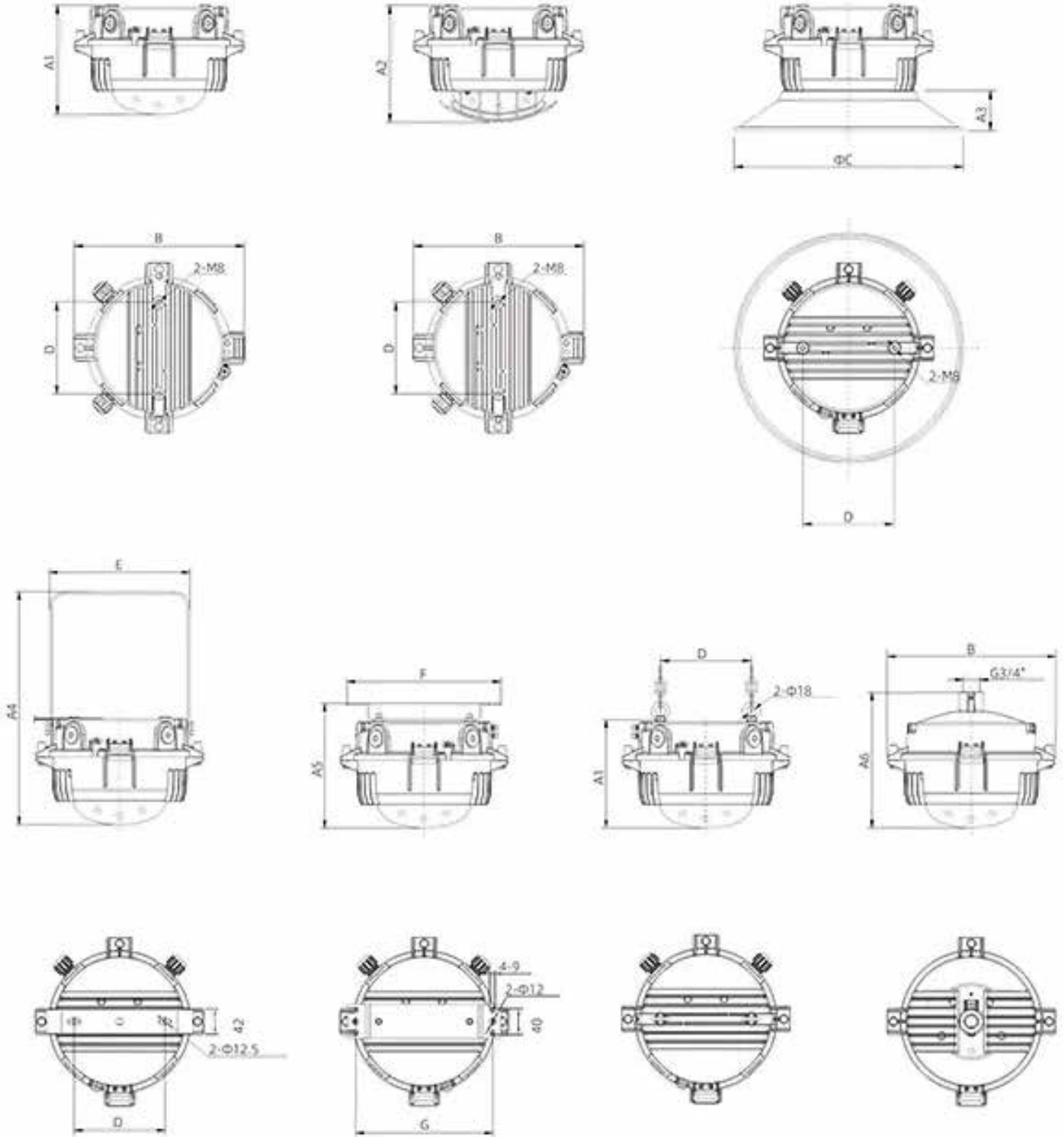
فرست اوتوماشن

Light Fittings

Series CZ0879/5,6



CZ0879/5、6 □ LED 防爆灯 LED explosion-proof light fittings



单位 Unit: mm

型号 Type	A1	A2	A3	A4	A5	A6	B	ΦC	D	E	F	G
CZ0879/5	190	203	70	410	220	239	297	399	160	258	270	240
CZ0879/6	211	224	85	427	241	260	350	450	200	303	370	340



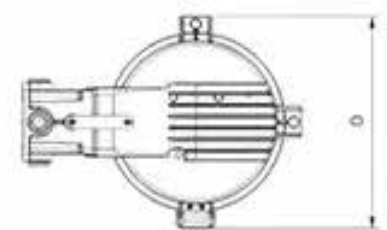
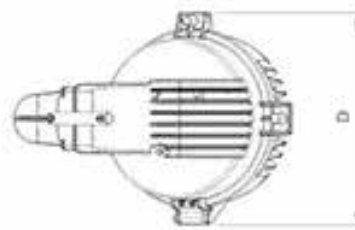
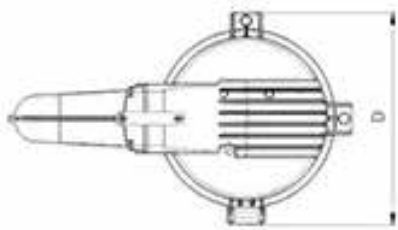
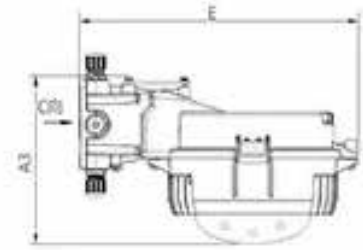
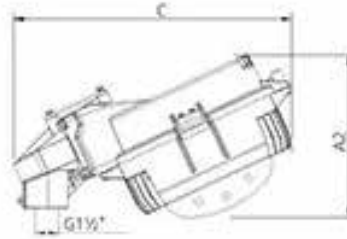
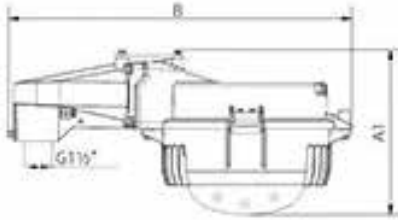
فرست اوتوماشن

Light Fittings

Series CZ0879/5,6

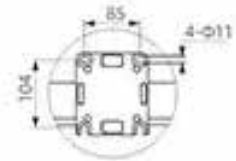


CZ0879/5, 6 LED 防爆灯 LED explosion-proof light fittings

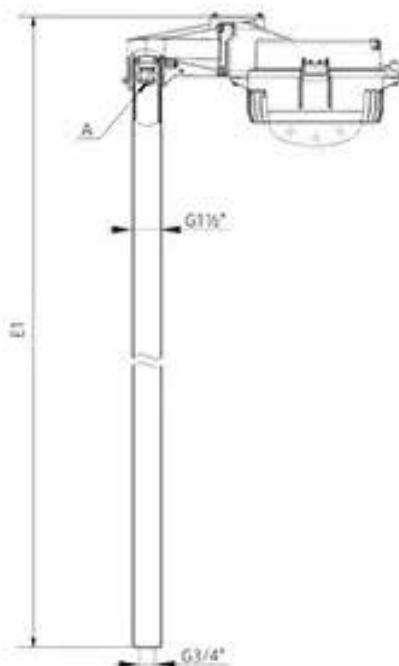


单位 Unit: mm

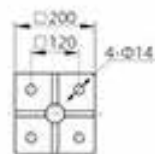
型号 Type	A1	A2	A3	B	C	D	E	E1	E2
CZ0879/5	231	228	234	480	390	297	391	2490	2575
CZ0879/6	252	265	255	534	440	350	443	2490	2600



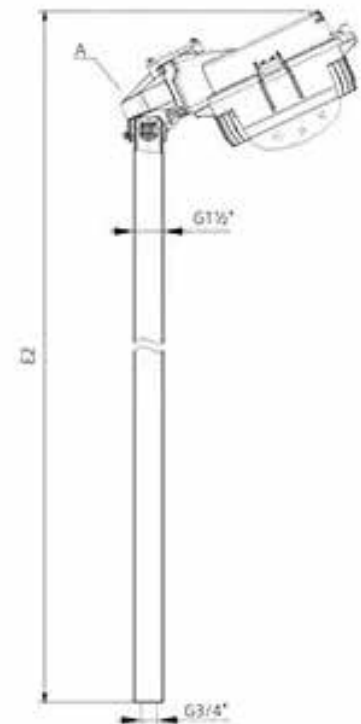
A 处表示内装M25型制电缆密封套
A represents a built-in moulded plastic M25 cable gland.



C - 灯头安装90°护栏式安装
C - Lamp cap mounted in the angle of 90° Fence type



法兰式安装
Flange type



D - 灯头安装25°护栏式安装
D - Lamp cap mounted in the angle of 25° Fence type






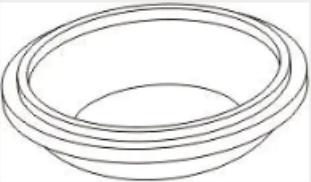

فرست اوتوماشن

Light Fittings

Series CZ0879/5,6



Accessories

 <p>Ceiling bracket</p>	<p>Order No.: D8722/2 Accessories for bracket type lamp, for CZ0879/5</p> <p>Order No.: D8722/3 Accessories for bracket type lamp, for CZ0879/6</p>
 <p>Chain type accessories</p>	<p>Order No.: D623 Accessories for bracket type lamp, M8 bolt, made from steel with zinc-coated surface</p>
 <p>Lamp pole of flange type</p>	<p>Order No.: D8726 Accessories for platform type lamp, G11/2" galvanized steel pipe material and powder coated surface</p>
 <p>Parts of glass cover</p>	<p>Order No.: BL183/072 Used for CZ0879/5 light fittings</p> <p>Order No.: BL236/072 Used for CZ0879/6 light fittings</p>
 <p>Lamp shade</p>	<p>Order No.: D8724/5 Used for CZ0879/5 light fittings</p> <p>Order No.: D8724/6 Used for CZ0879/6 light fittings</p>







فرست اوتوماشن

Light Fittings

Series CZ0879/5,6



Accessories

 Mounting bracket	<p>Order No.: D8719/1 Accessories for bracket type lamp, for CZ0879/5</p> <p>Order No.: D8719/2 Accessories for bracket type lamp, for CZ0879/6</p>
 G3/4"-300mm Straight pipe	<p>Order No.: D732 Accessories for bracket type, galvanized steel pipe material and powder coated surface</p>
 Lamp pole of fence type	<p>Order No.: D8725 Accessories for platform type lamp, G1 1/2" galvanized steel pipe material and powder coated surface</p>
 Mesh	<p>Order No.: D8718/5 Used for CZ0879/5 light fittings</p> <p>Order No.: D8718/6 Used for CZ0879/6 light fittings</p>