



فرست اوتوماشن

Potentiometer

Series CZ2000 –I–BP7



Prodcuts Features

- CZ2000/1-BA7 Switch modules have 2P or 4P for options, can be used together with 11 different operation heads (pushbuttons, switches, key operated switches, E-stop pushbuttons).
- CZ2000/1-BB7 control switch module, available in 2P~12P control functions.
- CZ2000/1-BD7 Signal lamp module, LED light source, four voltage ratings, five colors in red, green, yellow, white, blue are available.
- CZ2000/1-BG7 Light-control switch module, can be applied to Ex d or Ex e enclosure.
- CZ2000/1-BP7 Flameproof potentiometer module, 100Ω~2MΩ, Max 0.1W.
- CZ2000/1-B□ switch handle, to operate the switch modules 63A, 100A, 250A, 400A, 630A from the front. or to operate the switch modules 100A, 250A from the side.
- CZ2000/1-BW7 observation window for instruments φ64mm, φ89mm.
- CZ2000/1-BI7 observation and operation window for instruments, window have four sizes.
- CZ2000/2A Flameproof cable bushing, thread size M16 to M80, conductor size 0.5mm²-120mm².
- CZ2000/2B Flameproof cable bushing, thread M50, conductor size 0.5mm²-120mm², to be used for the connection of two Ex d enclosures.
- CZ2000/3 Flameproof binding pillar, thread M42, wiring capacity 50mm²-240mm².
- International IECEx approval, European union ATEX certifications (U).
- Accessories: special spanner, label, safety latch.



فرست اوتوماشن

Potentiometer

Series CZ2000-1-BP7



Product Parameter

Product type:	Ex d flame-proof potentiometer module
Certification:	IECEX ATEX
Application range (zones):	2G/Gb/zone 1; 2Db/Db/zone 21
Min.ambient temperature:	-55°C
Max.ambient temperature:	+60°C
Min.service temperature:	-55°C
Max.service temperature:	+80°C
Degree of protection:	IP66
Rated voltage:	max. 200VDC input or rated power which one is lower
Rated power:	0.1W





فرست اوتوماشن

Potentiometer

Series CZ2000-1-BP7



Illustration	Order No.
	CZ2000/1-BP701
	CZ2000/1-BP702
	CZ2000/1-BP703
	CZ2000/1-BP704
	CZ2000/1-BP705
	CZ2000/1-BP706
	CZ2000/1-BP707
	CZ2000/1-BP708
	CZ2000/1-BP709
	CZ2000/1-BP710
	CZ2000/1-BP711
	CZ2000/1-BP712
	CZ2000/1-BP713
	CZ2000/1-BP714



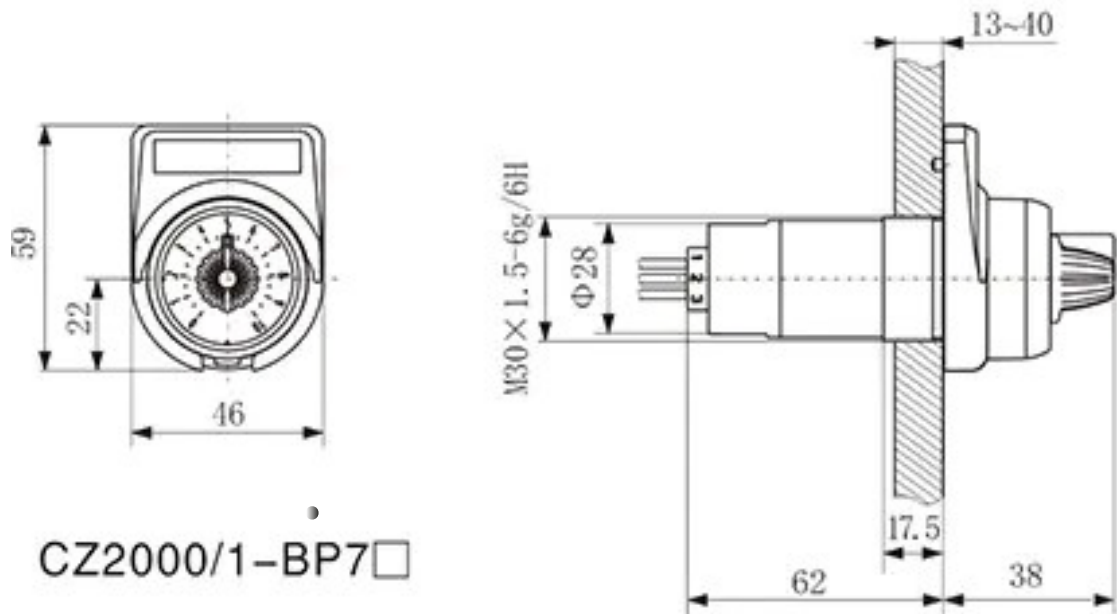
فرست اوتوماشن

Potentiometer

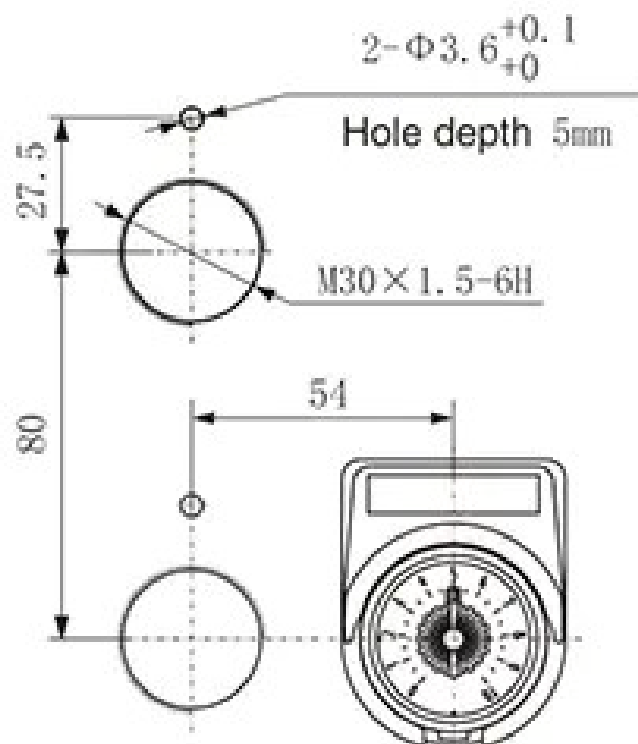
Series CZ2000-1-BP7



Outline dimensions



Mounting distance:





فرست اوتوماشن

Potentiometer

Series CZ2000-1-BP7



Accessories



Spanners

used to tighten plastic nuts M30×1.5

4006