



# Switches

Series CZ2000-1-BA7



## Products Features

- CZ2000/1-BA7 Switch modules have 2P or 4P for options, can be used together with 11 different operation heads (pushbuttons, switches, key operated switches, E-stop pushbuttons).
- CZ2000/1-BB7 control switch module, available in 2P~12P control functions.
- CZ2000/1-BD7 Signal lamp module, LED light source, four voltage ratings, five colors in red, green, yellow, white, blue are available.
- CZ2000/1-BG7 Light-control switch module, can be applied to Ex d or Ex e enclosure.
- CZ2000/1-BP7 Flameproof potentiometer module, 100Ω~2MΩ, Max 0.1W.
- CZ2000/1-B□ switch handle, to operate the switch modules 63A, 100A, 250A, 400A, 630A from the front. or to operate the switch modules 100A, 250A from the side.
- CZ2000/1-BW7 observation window for instruments φ64mm, φ89mm.
- CZ2000/1-BI7 observation and operation window for instruments, window have four sizes.
- CZ2000/2A Flameproof cable bushing, thread size M16 to M80, conductor size 0.5mm<sup>2</sup>-120mm<sup>2</sup>.
- CZ2000/2B Flameproof cable bushing, thread M50, conductor size 0.5mm<sup>2</sup>-120mm<sup>2</sup>, to be used for the connection of two Ex d enclosures.
- CZ2000/3 Flameproof binding pillar, thread M42, wiring capacity 50mm<sup>2</sup>-240mm<sup>2</sup>.
- International IECEx approval, European union ATEX certifications (U).
- Accessories: special spanner, label, safety latch.



فرست اوتوماشن

# Switches

Series CZ2000-1-BA7



## Product Parameter

<b>Product type:</b>	Ex d flameproof switch module
<b>Certification:</b>	IECEX ATEX
<b>Application range (zones):</b>	2G/Gb/zone 1; 2Db/Db/zone 21
<b>Min.ambient temperature:</b>	-55°C
<b>Max.ambient temperature:</b>	+60°C
<b>Min.service temperature:</b>	-55°C
<b>Max.service temperature:</b>	+80°C
<b>Degree of protection:</b>	IP66
<b>Rated voltage/frequency:</b>	400V AC 50/60Hz
<b>Rated current:</b>	10A





فرست اوتوماشن

# Switches

Series CZ2000-1-BA7



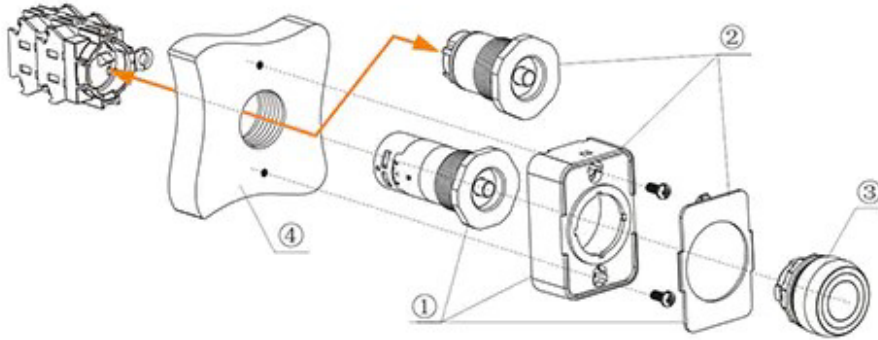
Illustration	Order No.
 2P	<b>CZ2000/1-BA70-□</b>
	<b>CZ2000/1-BA71-□</b>
	<b>CZ2000/1-BA72-□</b>
 4P	<b>CZ2000/1-BA750-□</b>
	<b>CZ2000/1-BA751-□</b>
	<b>CZ2000/1-BA752-□</b>
	<b>CZ2000/1-BA753-□</b>
	<b>CZ2000/1-BA754-□</b>



فرست اوتوماشن

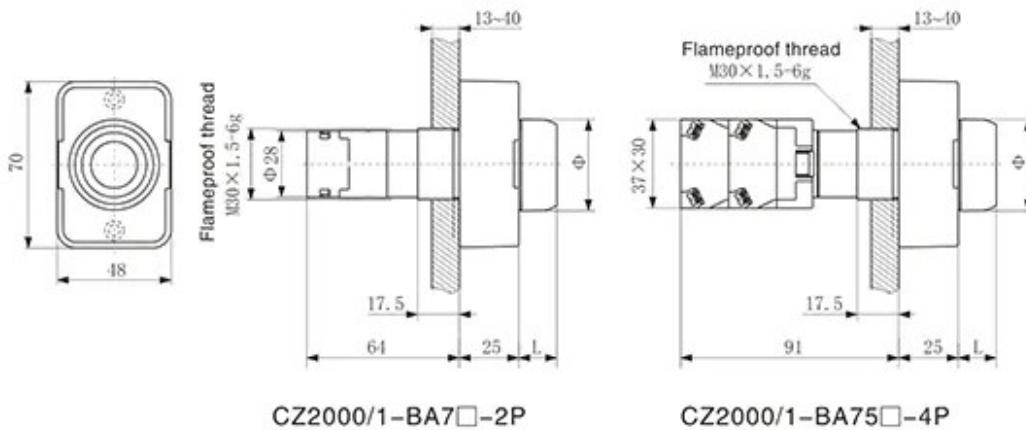
# Switches

Series CZ2000-1-BA7

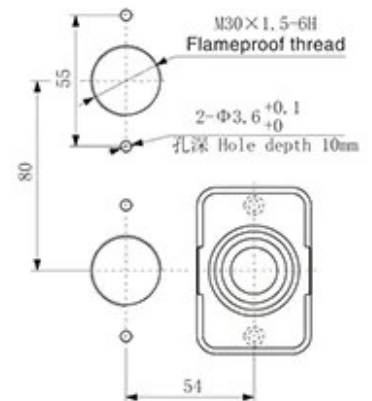


- ① CZ2000/1-BA7□(2P) Ex d flameproof module
- ② CZ2000/1-BA75□(4P) Ex d flameproof module
- ③ CZ4000 explosion-proof operation head
- ④ Ex d box

## Outline dimensions:



## Mounting distance:



CZ4000 Operation head	L (mm)	Φ (mm)
P6E/P6B operation head of rotation-releasing button (emergency stop)	41.8	Φ40mm
P7E/P6B operation head of rotation-releasing button (emergency stop)	41.8	Φ55mm
Y22E/Y22B operation head of key-releasing button (emergency stop)	41.6	Φ40mm
KB62 operation head of explosion-proof switch	30.6	Φ39mm
Y32/Y62 operation head of explosion-proof key button, switch	30.3	Φ39mm
P1□ operation head of rubber sheath button	15.5	Φ39mm
P4□ operation head of mushroom head button	40.8	Φ37mm
P5□ operation head of mushroom head button	41.7	Φ55mm



فرست اوتوماشن

# Switches

Series CZ2000-1-BA7



## Optional Ex components



| CZ4000 Series explosion-proof operation head











فرست اوتوماشن

# Switches

Series CZ2000-1-BA7



## Accessories

	<p>Push button label P000-□</p>
	<p>Switch label of key switch Y000-□</p>
	<p>Constant pressure type safety latch Used for P1 push button operation head CZ4000-4019/4-6</p>
	<p>Spanners used to tighten plastic nuts M30×1.5 4006</p>
	<p>Switch label K000-□</p>
	<p>Safety Latch Used for P1 push button and KB62 switch operation head CZ4000-4019/3-6</p>
	<p>Safety Latch Used for P6 push button operation head CZ4000-4019/2-6</p>
	<p>Brass padlock BL730</p>