



فرست اوتوماشن

Light Fittings

Series CZ1260



Products Features

- Optional stainless steel mesh cover.
- Optional fixed bracket and fixed bracket with magnet.
- Optional different voltage explosion-proof plug.
- IECEx, ATEX Certification.

Product Parameter

Product type:	overhaul light fittings/equipment light fittings
Certification:	CCC IECEx ATEX
Application range (zones):	2G/Gb/zone 1; 2D/Db/zone 21
Min.ambient temperature:	-40°C
Max.ambient temperature:	+55°C
Degree of protection:	IP66 / IP67
Rated voltage:	12-36V AC 50/60Hz 12-48V DC 48-110V AC 50/60Hz 70-110V DC
Rated power:	LED 11W (615Lm)
Weight:	0.6 ~ 0.76 kg



فرست اوتوماشن

Light Fittings

Series CZ1260



Contact

info@first-automation.com.eg/ • 01101619222 – 01100200886 • <https://first-automation.com.eg/>



فرست اوتوماشن

Light Fittings

Series CZ1260





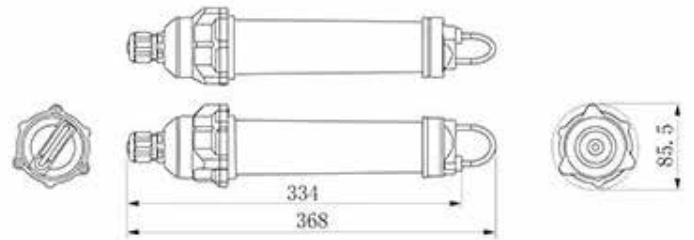
فرست اوتوماشن

Light Fittings

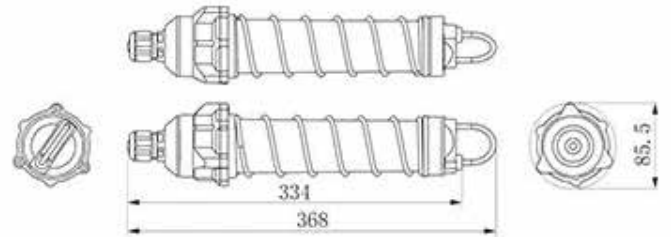
Series CZ1260



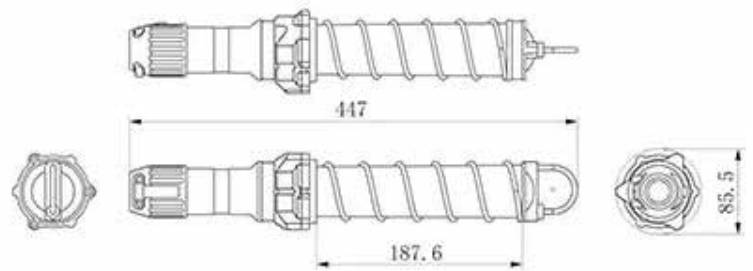
Explosion-proof equipment light fittings
(without steel mesh cover)



Explosion-proof equipment light fittings
(with steel mesh cover)



Explosion-proof overhaul light fittings





فرست اوتوماشن

Light Fittings

Series CZ1260



Order specifications:

Illustration	Structural type	Order No.
	Overhaul light fittings with steel mesh cover	CZ1260/1-LED11W-0□B
		CZ1260/1-LED11W-1□B
		CZ1260/1-LED11W-2□B
	Equipment light fittings with steel mesh cover	CZ1260/2-LED11W-0□B
		CZ1260/2-LED11W-1□B
		CZ1260/2-LED11W-2□B
	Equipment light fittings without steel mesh cover	CZ1260/2-LED11W-0□A
		CZ1260/2-LED11W-1□A
		CZ1260/2-LED11W-2□A



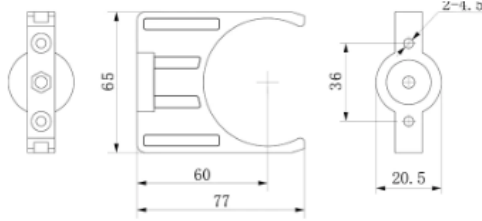
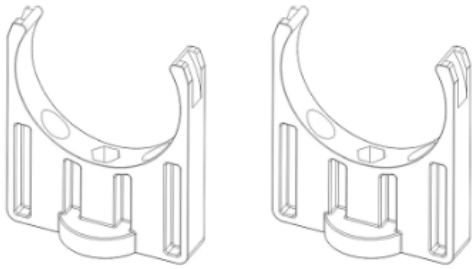
فرست اوتوماشن

Light Fittings

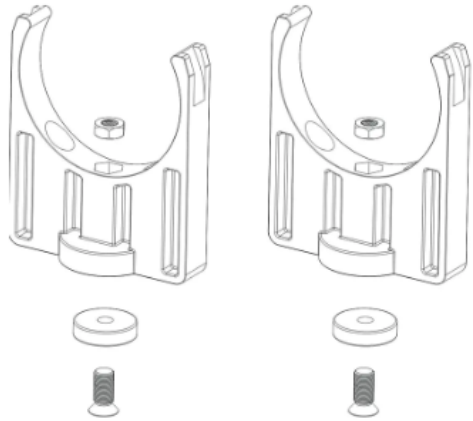
Series CZ1260



Accessories



Fixed bracket
Order No.: D8744/1



With magnet
fixed bracket
Order No..D8744/2



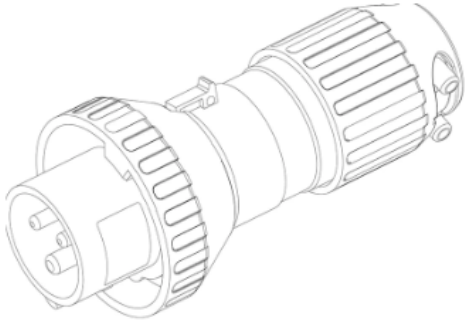
فرست اوتوماشن

Light Fittings

Series CZ1260

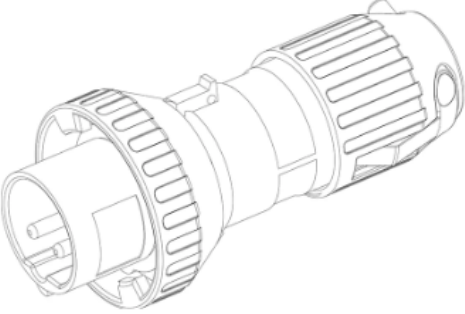


Accessories



Explosion-proof plug 16A/3P: 110-130V AC/DC 50/60Hz

Explosion-proof 16A/3P: 200-250V AC/DC 50/60Hz



Explosion-proof 16A/2P: 20-25V AC 50/60Hz

Explosion-proof 16A/2P: 20-50V DC