



فرست اوتوماشن

# Switches

Series CZ1246



## Products Features

- Certified built-in Ex component (U-certificate)
- 4 types of contacts( fast-action, slow-action)
- Easy installation
- High chemical performance
- Degree of protection IP66
- IECEx International Approval, ATEX European Approval

## Product Parameter

<b>Product type:</b>	Full plastic explosion-proof position switches
<b>Certification:</b>	CCC IECEX ATEX
<b>Application range (zones):</b>	2G/Gb/zone 1; 2D/Db/zone 21
<b>Min.ambient temperature:</b>	-20°C
<b>Max.ambient temperature:</b>	+50°C
<b>Degree of protection:</b>	IP66
<b>Rated voltage:</b>	max 320V AC, 250V DC
<b>Rated current:</b>	max 10A
<b>Material of enclosure:</b>	Alloy plastic of static resistance





فرست اوتوماشن

# Switches

Series CZ1246



**Thermoplastic roller  
Horizontal push rod**



**Thermoplastic roller  
Vertical push rod**



**Thermoplastic roller  
horizontal or vertical  
push rod**



فرست اوتوماشن

# Switches

Series CZ1246



**Whisker type**



**Rail of thermoplastic  
roller rocker  
24/40mm**



**Thermoplastic  
roller rocker  
Φ50mm**



**Adjustable  
thermoplastic  
roller rocker**



**Adjustable  
thermoplastic  
roller Rocker  
Φ50mm**



فرست اوتوماشن

# Switches

Series CZ1246



**Straight operated type M12**



**Straight operated  
with steel roller M12**



**Straight operated with  
steel roller**



**Straight operated type**



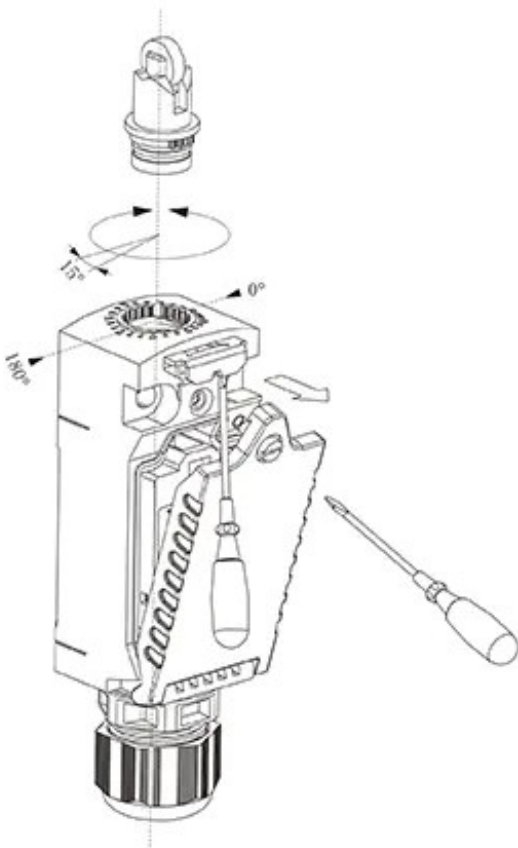
**Straight operated type  
with protective sleeve**



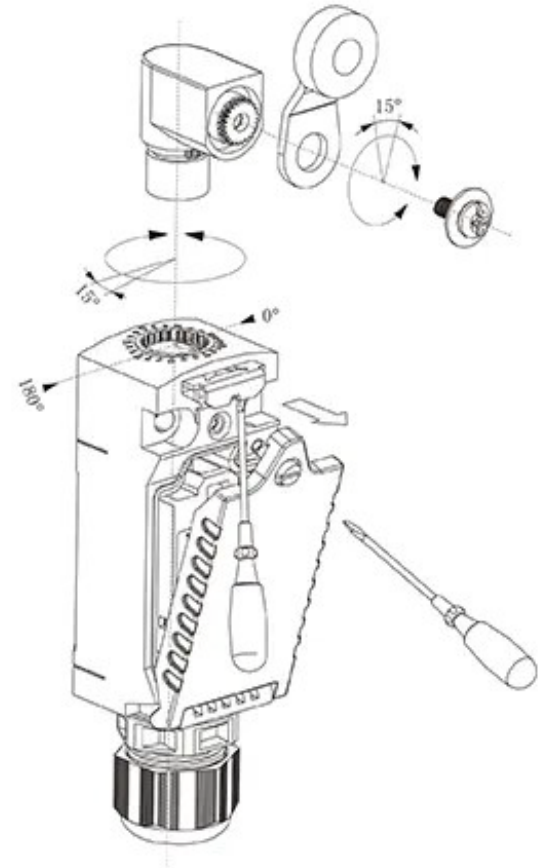
فرست اوتوماشن

# Switches

Series CZ1246



Type of operator



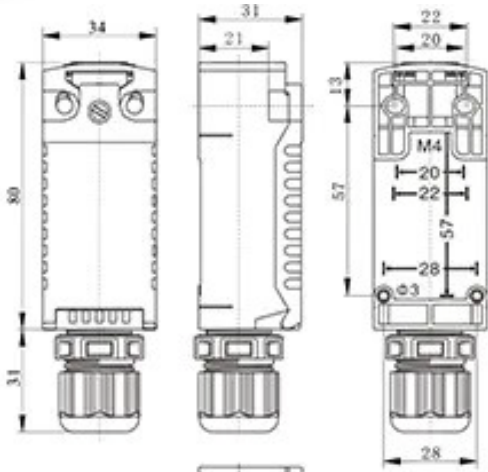
Operator + trigger head



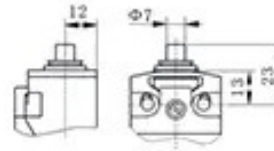
فرست اوتوماشن

# Switches

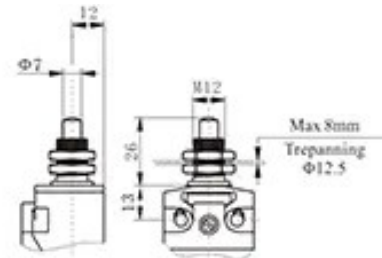
Series CZ1246



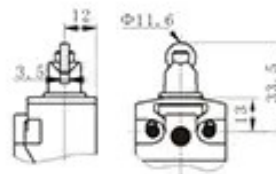
CZ1246 Enclosure



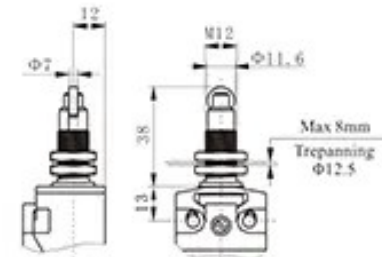
CZ1246/1-ZCE10-00



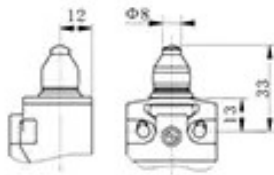
CZ1246/1-ZCEF0-00



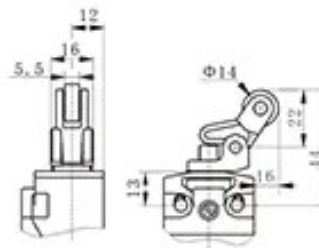
CZ1246/1-ZCE02-00



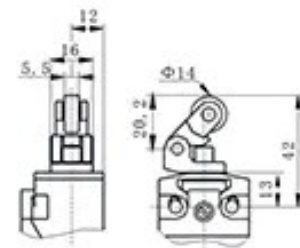
CZ1246/1-ZCEF2-00



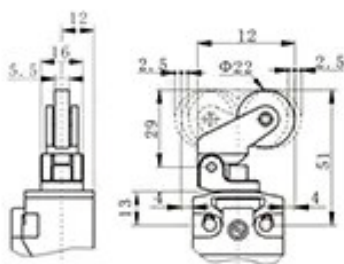
CZ1246/1-ZCE11-00



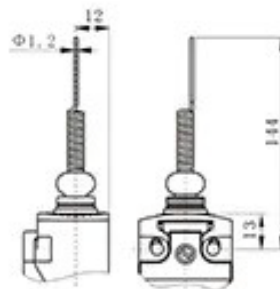
CZ1246/1-ZCE27-00



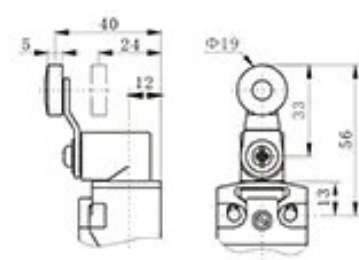
CZ1246/1-ZCE21-00



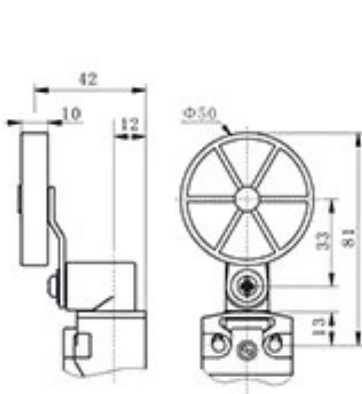
CZ1246/1-ZCE28-00



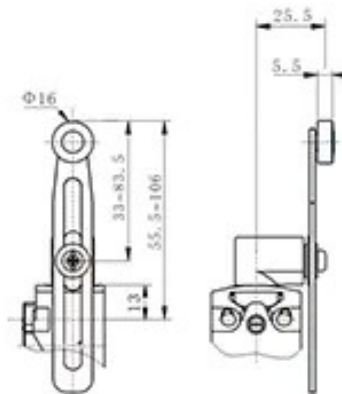
CZ1246/1-ZCE06-00



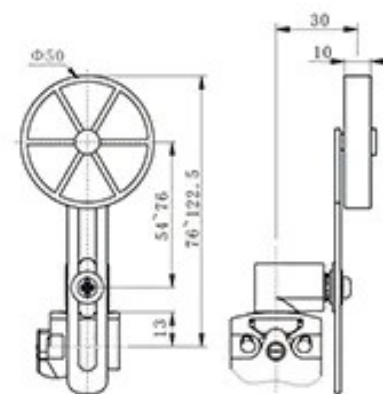
CZ1246/1-ZCY18-01



CZ1246/1-ZCY39-01



CZ1246/1-ZCY45-01



CZ1246/1-ZCY49-01

Contact

info@first-automation.com.eg/ • 01101619222 – 01100200886 • https://first-automation.com.eg/



فرست اوتوماشن

# Switches

Series CZ1246



Illustration	Order No.	Illustration	Order No.
	CZ1246/1-□-ZCE21-00		CZ1246/1-0-ZCE06-00
	CZ1246/1-□-ZCE27-00		CZ1246/1-1-ZCE06-00
	CZ1246/1-□-ZCE28-00		CZ1246/1-2-ZCE06-00
	CZ1246/1-□-ZCEF0-00		CZ1246/1-□-ZCY18-01
	CZ1246/1-□-ZCEF2-00		CZ1246/1-□-ZCY39-01
	CZ1246/1-□-ZCE02-00		CZ1246/1-□-ZCY45-01
	CZ1246/1-□-ZCE10-00		CZ1246/1-□-ZCY49-01
	CZ1246/1-□-ZCE11-00		CZ1246/1-□-ZCY49-01




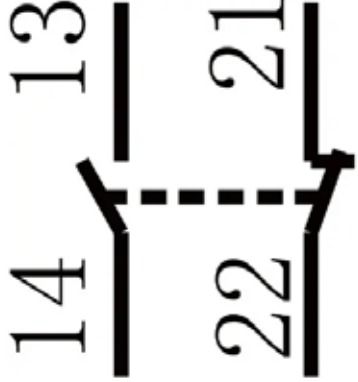
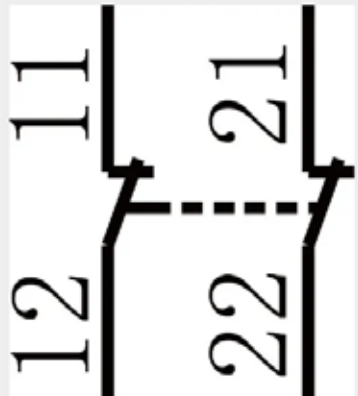
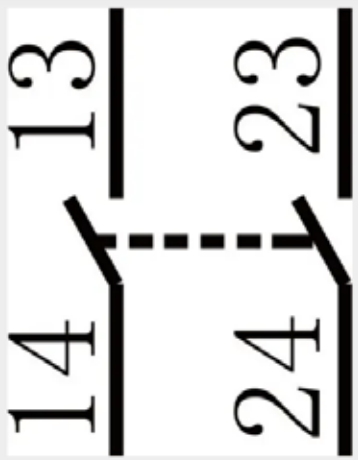
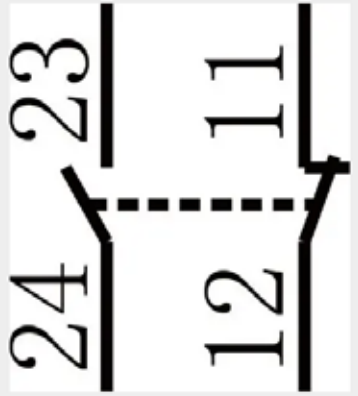
فرست اوتوماشن

# Switches

Series CZ1246



## Accessories

		<p>1NO + 1NC Breaking before making, slow-action</p>	<p>Order No. : CZ0207-0</p>
		<p>2NC Synchronous, slow-action</p>	<p>Order No. : CZ0207-1</p>
		<p>2NO Synchronous, slow-action</p>	<p>Order No. : CZ0207-2</p>
		<p>1NO + 1NC Snap-action</p>	<p>Order No. : CZ0207-3</p>