



فرست اوتوماشن

Light Fittings

Series CZ0878n



Products Features

- Available in: bracket mounting or pole mounting
- Long life and maintenance-free, with service life up to 50,000 hours.
- Good electromagnetic compatibility and it does not cause any interference to the system power grid.
- No voltage fluctuation, and can be working in the voltage range of 110 ~ 277V AC.
- Good performance of vibration due to the LED is the solid-state light source.
- It is convenient to be mounted and maintained.
- Degree of protection is up to IP66.
- IECEx and ATEX certified

Product Parameter

Product type:	Explosion-proof floodlight light fittings LED (wide beam, narrow beam, street light)
Certification:	CCC IECEx ATEX
Application range (zones):	3G/Gc/zone 2; 2D/Db/zone 21
Min.ambient temperature:	-40°C
Max.ambient temperature:	+55°C
Degree of protection:	IP66
Rated voltage:	110V~277V AC 50/60Hz



فرست اوتوماشن

Light Fittings

Series CZ0878n



Bracket mounting



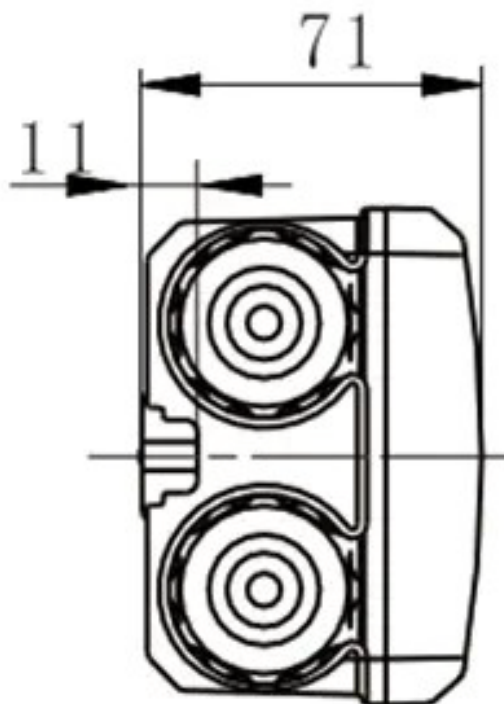
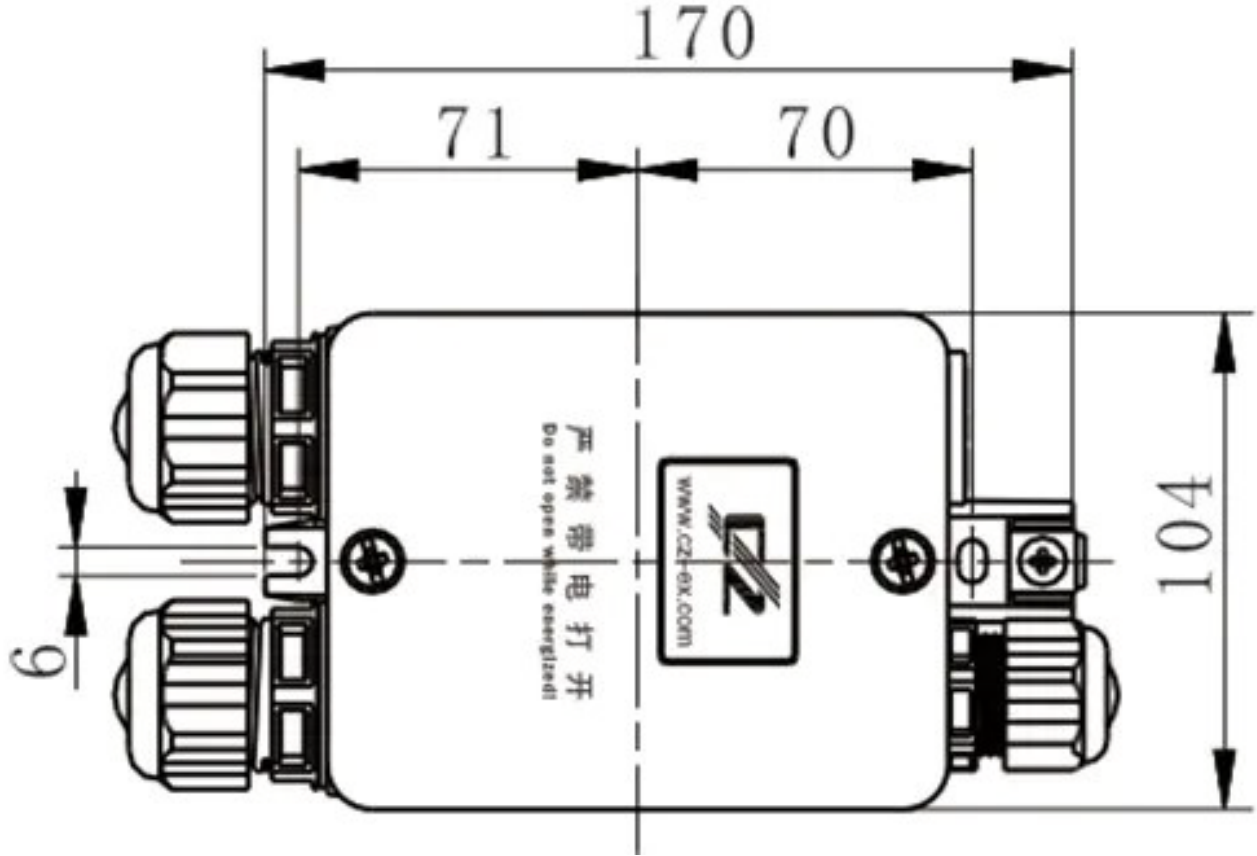
Pole mounting



فرست اوتوماشن

Light Fittings

Series CZ0878n





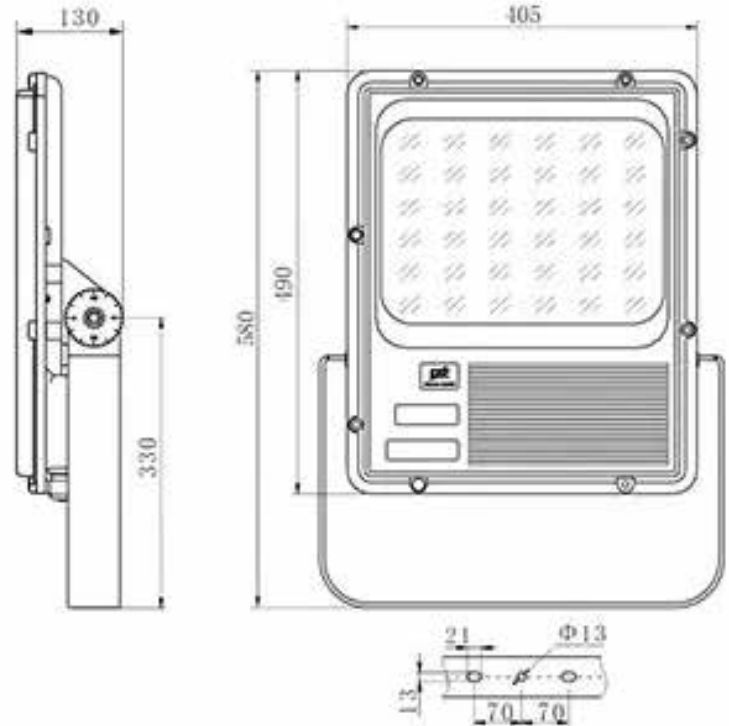
فرست اوتوماشن

Light Fittings

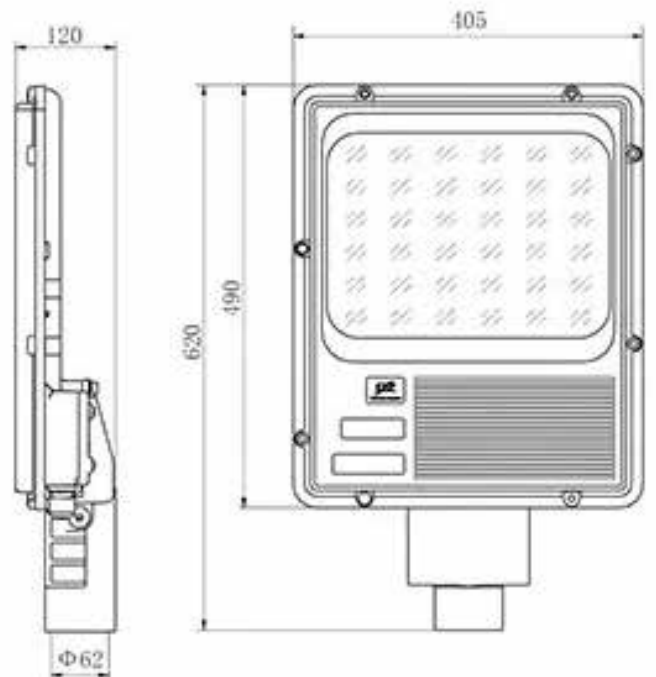
Series CZ0878n



B—Bracket mounting



F—Pole mounting

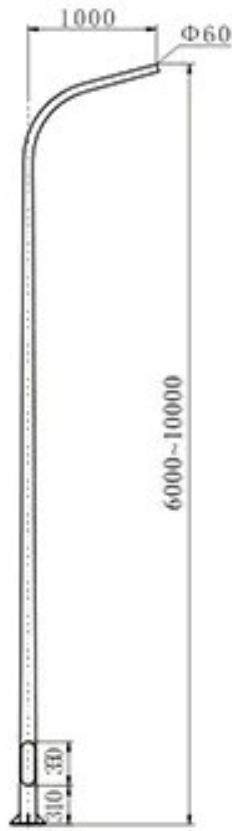




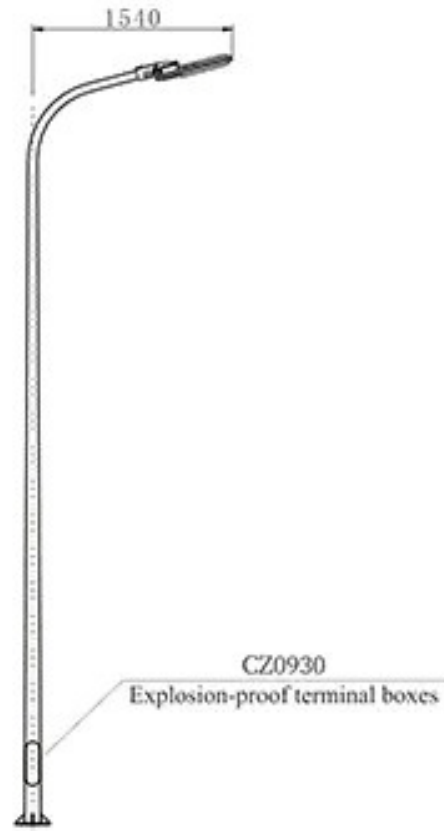
فرست اوتوماشن

Light Fittings

Series CZ0878n



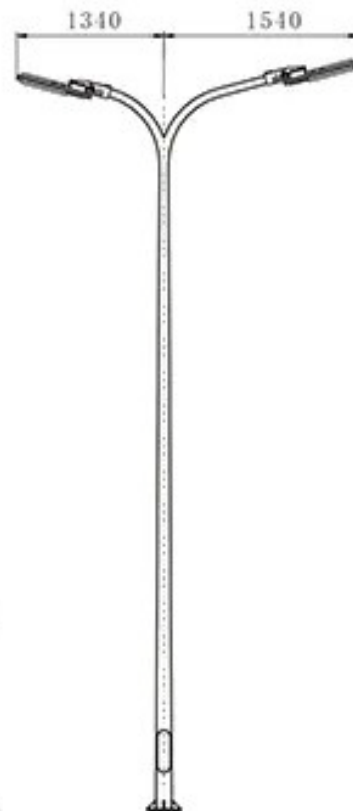
The diagram of the lamp pole



AH □



BH □



CH □



فرست اوتوماشن

Light Fittings

Series CZ0878n



Illustration

Order No.



CZ0878n/□-LED120W-07-B-WB

CZ0878n/□-LED160W-07-B-WB

CZ0878n/□-LED200W-07-B-WB

Bracket mounting

CZ0878n/□-LED120W-07-B-NB

CZ0878n/□-LED160W-07-B-NB



CZ0878n/□-LED200W-07-B-NB

CZ0878n/□-LED120W-07-B-SL

CZ0878n/□-LED160W-07-B-SL

Pole mounting

CZ0878n/□-LED200W-07-B-SL

Contact

info@first-automation.com.eg/ • 01101619222 – 01100200886 • <https://first-automation.com.eg/>



فرست اوتوماشن

Light Fittings

Series CZ0878n



Optional Ex components



| CZ0220 Series Plastic stopping plugs, the reducer



| CZ0221 Metal cable glands



| CZ0220 Series Plastic cable glands, stopping plugs



| CZ0226 Increased safety cable glands



| CZ0527, CZ1725/27 Increased safety breathing, drainage valve



| CZ0227 Increased safety metal cable glands



| CZ1725/1C Metal cable glands



| CZ1725/2A Metal cable glands



| CZ1725/3A Metal stopping plug



| CZ1725/1A Metal cable glands



| CZ1725/4A The reducer



| CZ1725/1B Metal cable glands



فرست اوتوماشن

Light Fittings

Series CZ0878n



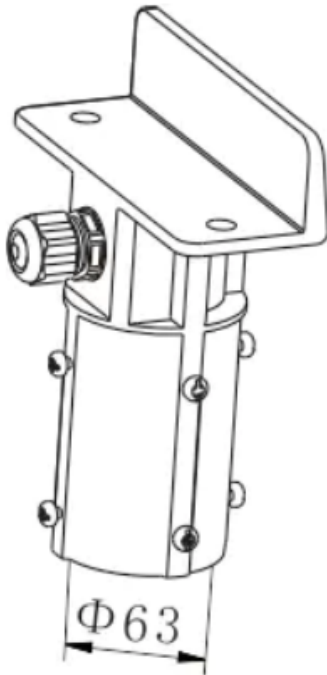
Accessories



D623

Chain type accessories(500mm)

For M8 lifting eye bolt, the material is high quality steel with galvanization on surface



D8723/1

Bracket of vertical pole



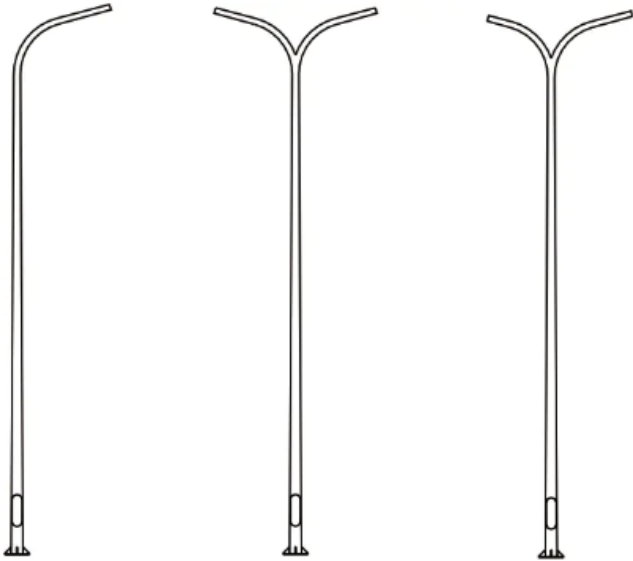
فرست اوتوماشن

Light Fittings

Series CZ0878n



Accessories



AH,BH,CH

AH:Lamp pole of single arm
BH:Lamp pole of double arms with equal length
CH:Lamp pole of double arms with non-equal length



CZ0930

Code: 10,11
Single lamp equipped
with one fuse

code: 20,21
Double lamps equipped
with two fuses