



فرست اوتوماشن

# Street Light Fittings

Series CZ0870n



## Prodcuts Features

- The design of integration is used.
- It is convenient to be mounted and maintained.
- The degree of protection is up to Ip66.

## Product Parameter

<b>Product type:</b>	Explosion-proof street light fittings
<b>Certification:</b>	CCC
<b>Application range (zones):</b>	Gc/zone 2; A21/zone 21
<b>Min.ambient temperature:</b>	-40°C
<b>Max.ambient temperature:</b>	+55°C
<b>Degree of protection:</b>	IP66
<b>Rated voltage:</b>	220V AC、 230V AC、 240V AC 50Hz、 60Hz



فرست اوتوماشن

# Street Light Fittings

Series CZ0870n



Contact

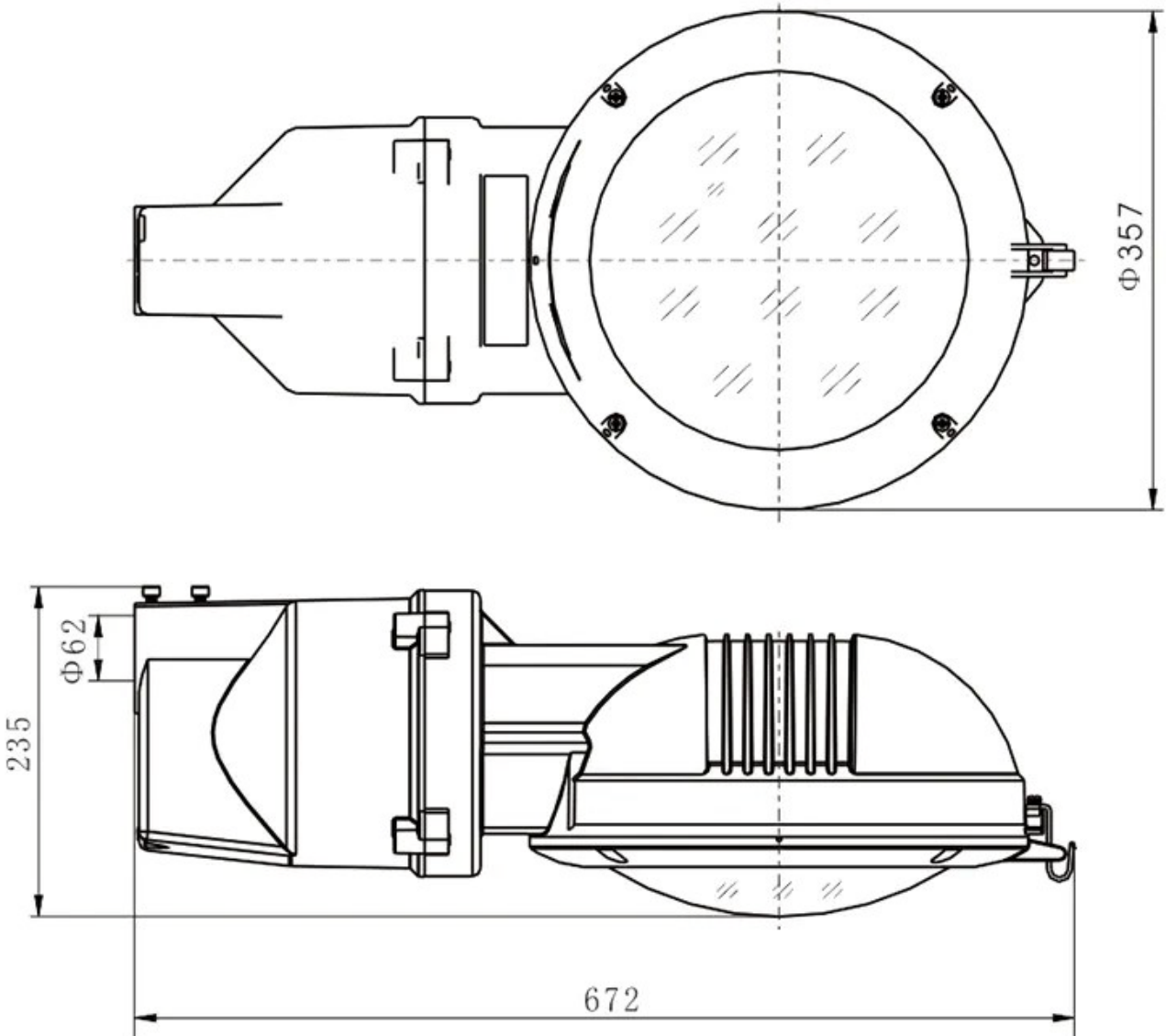
info@first-automation.com.eg/ • 01101619222 – 01100200886 • <https://first-automation.com.eg/>



فرست اوتوماشن

# Street Light Fittings

Series CZ0870n

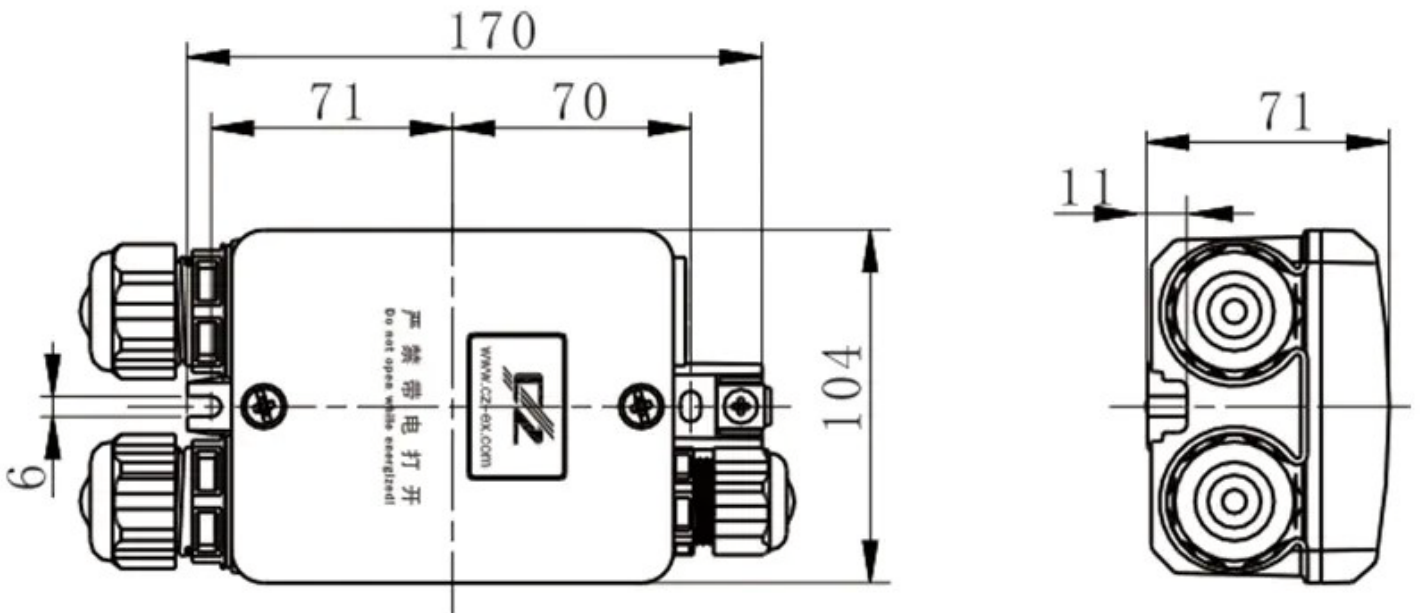




فرست اوتوماشن

# Street Light Fittings

Series CZ0870n

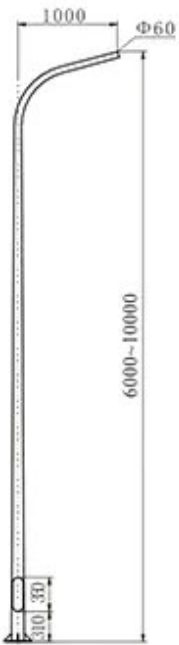




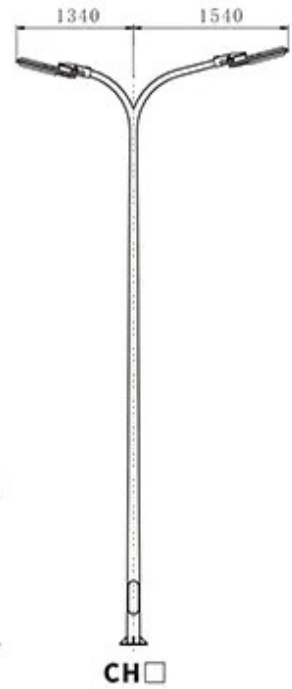
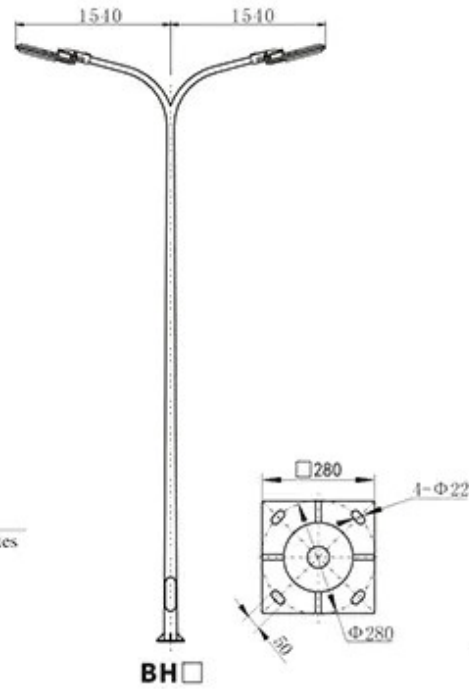
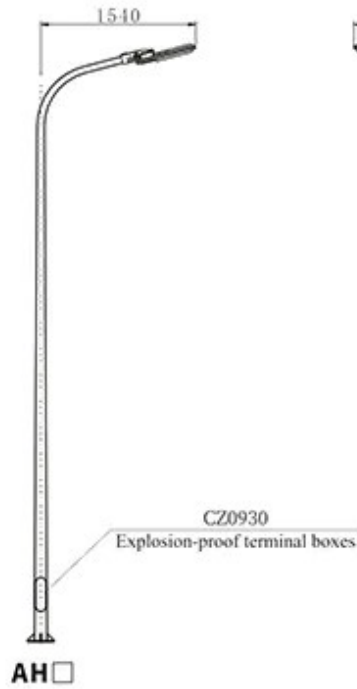
فرست اوتوماشن

# Street Light Fittings

Series CZ0870n



The diagram of the lamp pole





فرست اوتوماشن

# Street Light Fittings

Series CZ0870n



Illustration

Order No.



**CZ0870n-J250W25**

**CZ0870n-J400W25**

**CZ0870n-N150W25**

**CZ0870n-N250W25**

**CZ0870n-N400W25**

Contact

info@first-automation.com.eg/ • 01101619222 – 01100200886 • <https://first-automation.com.eg/>



فرست اوتوماشن

# Street Light Fittings

Series CZ0870n



## Optional Ex components



| CZ0220 Series Plastic stopping plugs, the reducer



| CZ0221 Metal cable glands



| CZ0220 Series Plastic cable glands, stopping plugs



| CZ0226 Increased safety cable glands



| CZ0527, CZ1725/27 Increased safety breathing, drainage valve



| CZ0227 Increased safety metal cable glands



| CZ1725/1C Metal cable glands



| CZ1725/2A Metal cable glands



| CZ1725/3A Metal stopping plug



| CZ1725/1A Metal cable glands



| CZ1725/4A The reducer



| CZ1725/1B Metal cable glands



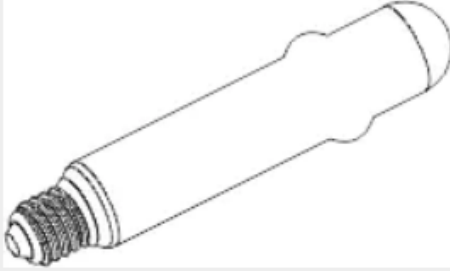
فرست اوتوماشن

# Street Light Fittings

Series CZ0870n



## Accessories



HQI-T 250/D, HQI-BT 400/D

Metal halide lamp bulb-J



CZ0930

Code: 10,11

Single lamp equipped  
with one fuse

code: 20,21

Double lamps equipped  
with two fuses





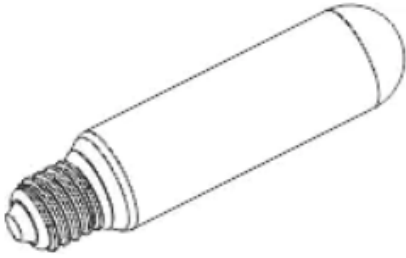
فرست اوتوماشن

# Street Light Fittings

Series CZ0870n

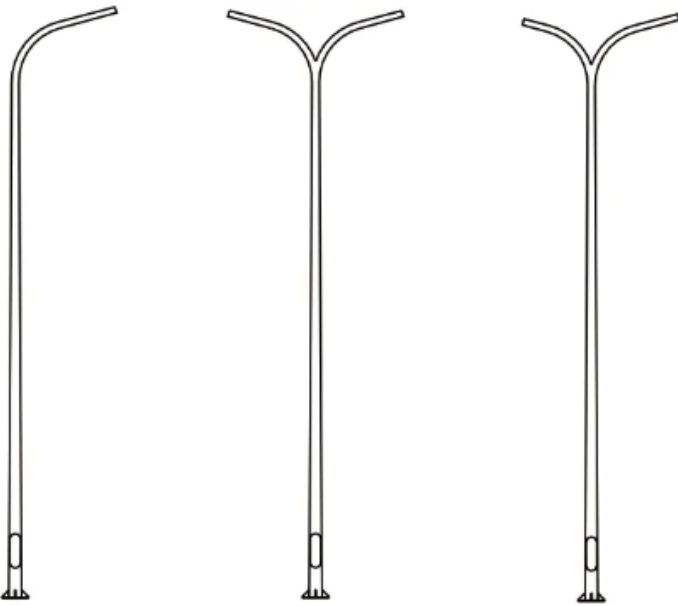


## Accessories



NAV-T 150, NAV-T 250, NAV-T 400

High pressure sodium  
vapor lamp bulb-N



AH,BH,CH

AH:Lamp pole of single arm  
BH:Lamp pole of double arms with equal length  
CH:Lamp pole of double arms with non-equal  
length