



فرست اوتوماشن

Circuit Breaker

Series CZ0550



Prodcuts Features

- Plug, socket and built-in explosion-proof component are separately IECEx and ATEX certified.
- Cable wheel can be hand held or moved with a pull or push. Extendible handle is easy to use.
- Besides the current solutions we have, other solutions can be on request.
- Degree of protection up to IP66



Contact

info@first-automation.com.eg/ • 01101619222 – 01100200886 • <https://first-automation.com.eg/>



فرست اوتوماشن

Circuit Breaker

Series CZ0550



Product Parameter

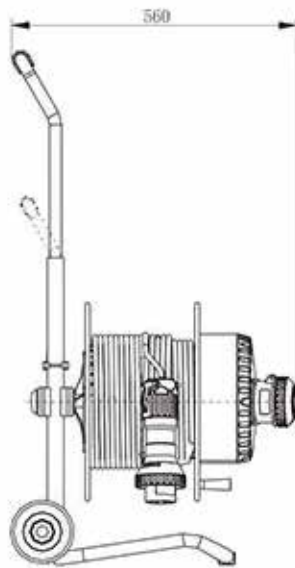
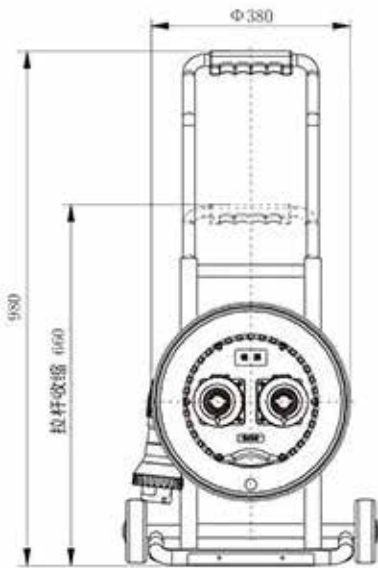
Product type:	Explosion-proof mobile cable wheel (with circuit breaker, with transformer)
Certification:	CCC IECEX ATEX
Application range (zones):	2G/Gb/zone 1; 2D/Db/zone 21
Min.ambient temperature:	-40°C
Max.ambient temperature:	+55°C
Degree of protection:	IP66
Rated current:	16A, 32A
Rated voltage:	AC 20 ~ 690V 50/60Hz
Material of enclosure:	cable wheel bracket is made of shaped steel, surface with plastic spray treatment. Socket box is made of GRP anti-static glass fibre reinforced polyester (SMC)



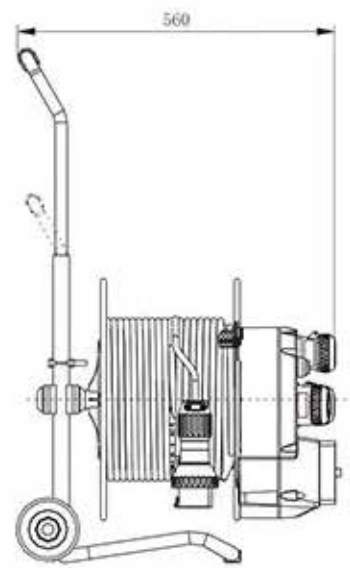
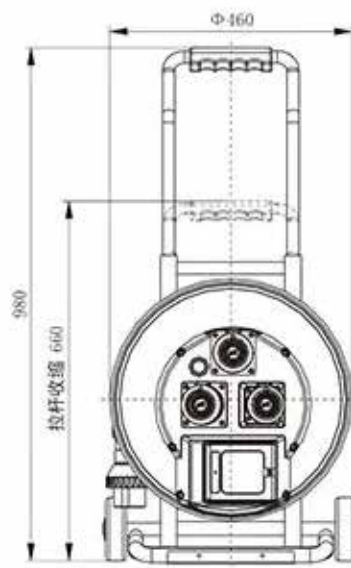
فرست اوتوماشن

Circuit Breaker

Series CZ0550



CZ0550/3822-□



CZ0550/4622-□

Illustration	Order No.	Illustration	Order No.	Illustration	Order No.
	CZ0550/3822-101-20m		CZ0550/3822-301-20m		CZ0550/4622-K301-20m
	CZ0550/3822-101-40m		CZ0550/3822-301-40m		CZ0550/4622-K301-40m
	CZ0550/3822-102-20m		CZ0550/3822-303-20m		CZ0550/4622-K303-20m
	CZ0550/3822-102-40m		CZ0550/3822-303-40m		CZ0550/4622-K303-40m
	CZ0550/3822-103-20m		CZ0550/3822-304-20m		CZ0550/4622-K304-20m
	CZ0550/3822-103-40m		CZ0550/3822-304-40m		CZ0550/4622-K304-40m
	CZ0550/3822-104-20m		CZ0550/3822-305-20m		CZ0550/4622-K305-20m
	CZ0550/3822-104-40m		CZ0550/3822-305-40m		CZ0550/4622-K305-40m
	CZ0550/3822-105-20m		CZ0550/3822-307-20m		CZ0550/4622-K307-20m
	CZ0550/3822-105-40m		CZ0550/3822-307-40m		CZ0550/4622-K307-40m
	CZ0550/3822-201-20m		CZ0550/4622-K201-20m		CZ0550/3822-401-20m
	CZ0550/3822-201-40m		CZ0550/4622-K201-40m		CZ0550/3822-401-30m
	CZ0550/3822-202-20m		CZ0550/4622-K202-20m		CZ0550/4622-K401-20m
	CZ0550/3822-202-40m		CZ0550/4622-K202-40m		
	CZ0550/3822-203-20m		CZ0550/4622-K203-20m		
	CZ0550/3822-203-40m		CZ0550/4622-K203-40m		
	CZ0550/3822-204-20m		CZ0550/4622-K204-20m		CZ0550/4622-K401-30m
	CZ0550/3822-204-40m		CZ0550/4622-K204-40m		
	CZ0550/3822-205-20m		CZ0550/4622-K205-20m		
	CZ0550/3822-205-40m		CZ0550/4622-K205-40m		
CZ0550/3822-206-20m	CZ0550/4622-K206-20m	CZ0550/4622-K401-30m			
CZ0550/3822-206-40m	CZ0550/4622-K206-40m				

Contact

info@first-automation.com.eg/ • 01101619222 – 01100200886 • https://first-automation.com.eg/



فرست اوتوماشن

Circuit Breaker

Series CZ0550



Optional Ex components



| CZ0220 Series Plastic stopping plugs, the reducer



| CZ0221 Metal cable glands



| CZ0220 Series Plastic cable glands, stopping plugs



| CZ0226 Increased safety cable glands



| CZ0527, CZ1725/27 Increased safety breathing, drainage valve



| CZ0227 Increased safety metal cable glands



| CZ1725/1C Metal cable glands



| CZ1725/2A Metal cable glands



| CZ1725/3A Metal stopping plug



| CZ1725/1A Metal cable glands



| CZ1725/4A The reducer



| CZ1725/1B Metal cable glands