



فرست اوتوماشن

Ammeters

Series CZ0240 /9



Prodcuts Features

Prodcuts Features:

- Degree of protection IP66.
- IECEx International Certification, ATEX European Approval.

Product Parameter

Product type:	CZ0240/9 Explosion-proof ammeter (milammeter), voltmeter for panel mounting
Certification:	CCC IECEX ATEX
Application range (zones):	2G/Gb/zone 1; 2D/Db/zone 21
Min.ambient temperature:	-40°C
Max.ambient temperature:	+55°C
Degree of protection:	IP66
Ammeter framework:	Electromagnetic
Accuracy class:	1.5
Overload scale:	2 times, 5 times
Terminals:	2×2.5mm ²
PE terminals:	4mm ²
Cable entry:	Molded plastic 1×M20, cable outer diameter Φ5.5 ~ 13mm
Material of enclosure:	Alloy plastic of static resistance





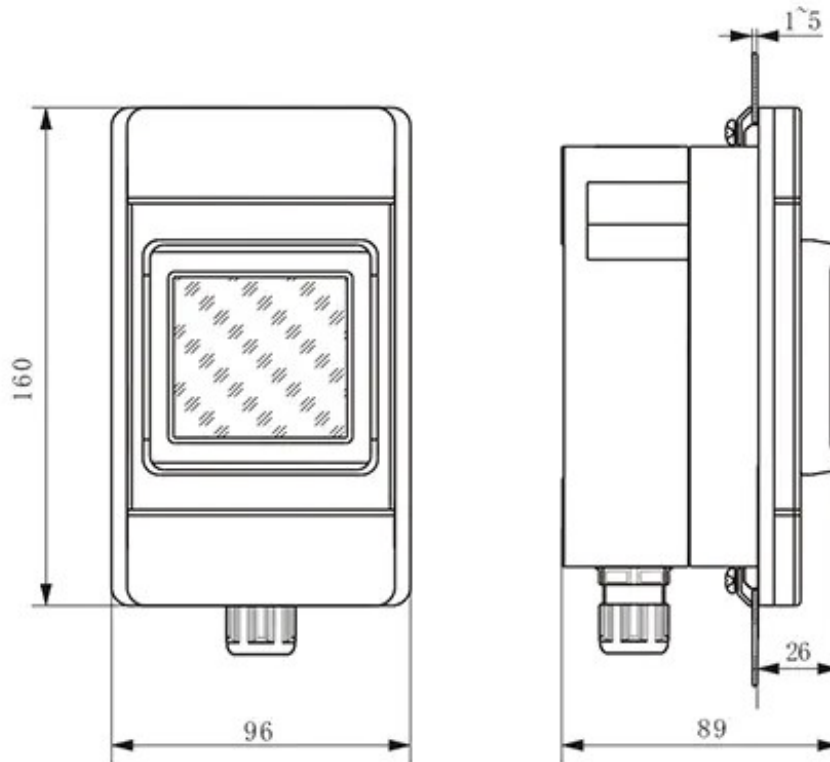
فرست اوتوماشن

Ammeters

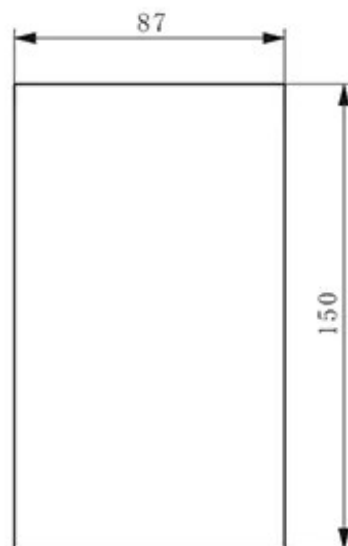
Series CZ0240 /9



Outline dimensions



Aperture dimensions





فرست اوتوماشن

Ammeters

Series CZ0240 /9



Illustration	Order No.
	CZ0240/9-6A1-M1
	CZ0240/9-6A5-M1
	CZ0240/9-6A10-M1
	CZ0240/9-6A01 / □2-M1
	CZ0240/9-6A 2.5 / □2-M1
	CZ0240/9-6A 5 / □2-M1
	CZ0240/9-6A 15 / □2-M1
	CZ0240/9-6A 25 / □2-M1
	CZ0240/9-6A 40 / □2-M1
	CZ0240/9-6A 50 / □2-M1
	CZ0240/9-6A 60 / □2-M1
	CZ0240/9-6A 75 / □2-M1
	CZ0240/9-6A 100 / □2-M1
	CZ0240/9-6A 150 / □2-M1
	CZ0240/9-6A 200 / □2-M1
	CZ0240/9-6A 250 / □2-M1
	CZ0240/9-6A 300 / □2-M1
	CZ0240/9-6A 400 / □2-M1
	CZ0240/9-6A 500 / □2-M1
	CZ0240/9-6A 600 / □2-M1
	CZ0240/9-6A 01 / □5-M1
	CZ0240/9-6A 2.5 / □5-M1
	CZ0240/9-6A 5 / □5-M1
	CZ0240/9-6A 15 / □5-M1
	CZ0240/9-6A 25 / □5-M1
	CZ0240/9-6A 40 / □5-M1
	CZ0240/9-6A 50 / □5-M1
	CZ0240/9-6A 60 / □5-M1
	CZ0240/9-6A 75 / □5-M1
	CZ0240/9-6A 100 / □5-M1
	CZ0240/9-6A 150 / □5-M1
	CZ0240/9-6A 200 / □5-M1
CZ0240/9-6A 250 / □5-M1	
CZ0240/9-6A 300 / □5-M1	
CZ0240/9-6A 400 / □5-M1	
CZ0240/9-6A 500 / □5-M1	
CZ0240/9-6A 600 / □5-M1	



فرست اوتوماشن

Ammeters

Series CZ0240 /9



Illustration	Order No.
	CZ0240/9-6V25-M1
	CZ0240/9-6V40-M1
	CZ0240/9-6V150-M1
	CZ0240/9-6V250-M1
	CZ0240/9-6V500-M1
	CZ0240/9-6mA 11/□□-M1
	CZ0240/9-6mA 12/□□-M1



فرست اوتوماشن

Ammeters

Series CZ0240 /9



Optional Ex components



| CZ0220 Series Plastic stopping plugs, the reducer



| CZ0220 Series Plastic cable glands, stopping plugs



| CZ0527, CZ1725/27 Increased safety breathing, drainage valve



| CZ0221 Metal cable glands



| CZ1725/2A Metal cable glands



| CZ0226 Increased safety cable glands



| CZ1725/1A Metal cable glands



| CZ0227 Increased safety metal cable glands



| CZ1725/1B Metal cable glands



فرست اوتوماشن

Ammeters

Series CZ0240 /9



Optional Ex components



| CZ1725/1C Metal cable glands



| CZ1725/3A Metal stopping plug



| CZ1725/4A The reducer



| CZ4000 Series explosion-proof operation head



| CZ0205 Explosion-proof ammeter module