



فرست اوتوماشن

Switches

Series CZ0240



Prodcuts Features

- Easy installation
- High chemical stability
- Large wiring space
- Degree of protection is IP66
- IECEx International Approval, ATEX European Approval



Product Parameter

| | |
|-----------------------------------|--|
| Product type: | Full plastic explosion-proof illumination switches |
| Certification: | CCC IECEX ATEX |
| Application range (zones): | 2G/Gb/zone 1; 2D/Db/zone 21 |
| Min.ambient temperature: | -40°C |
| Max.ambient temperature: | +55°C |
| Degree of protection: | IP66 |
| Rated voltage: | max 250V |
| Rated current: | max 16A |
| Component terminal: | 2.5mm ² PE terminals: 4mm ² |
| Material of enclosure: | Alloy plastic of static resistance |
| Cable entry: | Brass, moulded plastic cable gland |

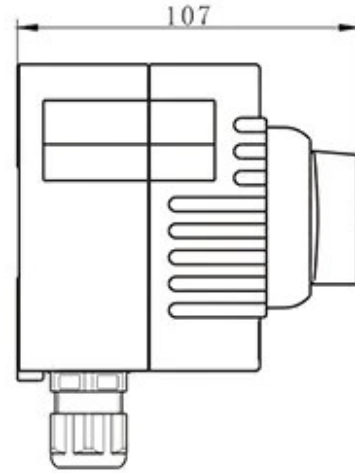
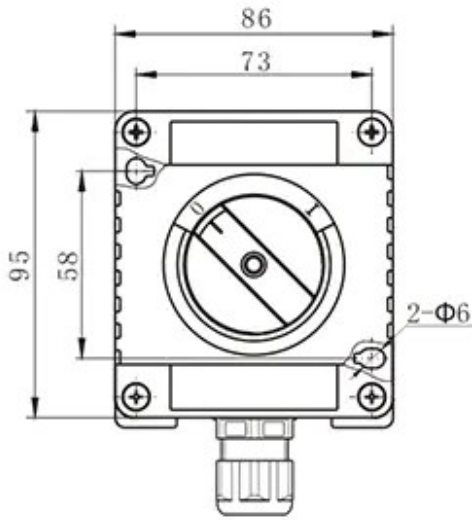




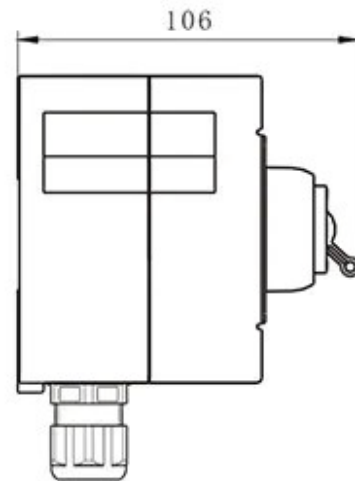
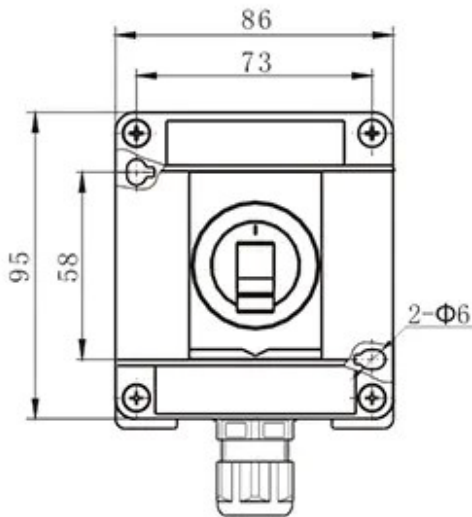
فرست اوتوماشن

Switches

Series CZ0240



CZ0240/51



CZ0240/1





فرست اوتوماشن

Switches

Series CZ0240



| Illustration | Order No. |
|---|---------------------|
|  CZ0240/51 | CZ0240/51-6200 01-1 |
| | CZ0240/51-6200 01-J |
| | CZ0240/51-6000 02-1 |
| | CZ0240/51-6000 02-J |
|  CZ0240/1 | CZ0240/1-6200 21-1 |
| | CZ0240/1-6200 21-J |
| | CZ0240/1-6000 22-1 |
| | CZ0240/1-6000 22-J |



فرست اوتوماشن

Switches

Series CZ0240



Optional Ex components



| CZ0220 Series Plastic stopping plugs, the reducer



| CZ1725/2A Metal cable glands



| CZ0220 Series Plastic cable glands, stopping plugs



| CZ1725/1A Metal cable glands



| CZ0527, CZ1725/27 Increased safety breathing, drainage valve



| CZ1725/1B Metal cable glands



| CZ1725/1C Metal cable glands



| CZ0221 Metal cable glands



| CZ1725/3A Metal stopping plug



| CZ0226 Increased safety cable glands



| CZ1725/4A The reducer



| CZ0227 Increased safety metal cable glands