



فرست اوتوماشن

Ammeter

Series CZ0205



Products Features

- Meter modules can be optional with mounting base (for board front rail mounting). It can be mounted on rail vertically or horizontally just to change the direction of mounting base.
- Mounting bracket for board back type (on panel).
- Meter module has warning pointer which can be regulated.
- Scale can be altered if the secondary current of ammeter module is same.
- IECEx international certification, ATEX European certification.

Product Parameter

Product type:	Explosion-proof ammeter module
Certification:	CCC IECEX ATEX
Application range (zones):	2G/Gb/zone 1
Min.service temperature:	-40°C
Max.service temperature:	+95°C
Ammeter framework:	Electromagnetic
Accuracy class:	1.5
Overload scale:	2 times, 5 times
Terminals:	2×2.5mm ²
Outline dimensions:	L×W×H (70.5×66×47.5mm)



فرست اوتوماشن

Ammeter

Series CZ0205



Contact

info@first-automation.com.eg/ • 01101619222 – 01100200886 • <https://first-automation.com.eg/>



فرست اوتوماشن

Ammeter

Series CZ0205



Illustration

Order No.

Illustration

Order No.



CZ0205

Explosion-proof ammeter module

CZ0205-A1

CZ0205-A5

CZ0205-A10

CZ0205-A01/□2

CZ0205-A2.5/□2

CZ0205-A5/□2

CZ0205-A15/□2

CZ0205-A25/□2

CZ0205-A40/□2

CZ0205-A50/□2

CZ0205-A60/□2

CZ0205-A75/□2

CZ0205-A100/□2

CZ0205-A150/□2

CZ0205-A200/□2

CZ0205-A250/□2

CZ0205-A300/□2

CZ0205-A400/□2

CZ0205-A500/□2

CZ0205-A600/□2

CZ0205-A01/□5

CZ0205-A2.5/□5

CZ0205-A5/□5



CZ0205
Explosion-proof
ammeter (milammeter),
voltmeter module

CZ0205-V 25

CZ0205-V 40

CZ0205-V 150

CZ0205-V 250

CZ0205-V 500

CZ0205-mA 11/□□

CZ0205-mA 12/□□

Scale ←

CZ0205-A 15/□5

CZ0205-A 25/□5

CZ0205-A 40/□5

CZ0205-A 50/□5

CZ0205-A 60/□5

CZ0205-A 75/□5

CZ0205-A 100/□5

CZ0205-A 150/□5

CZ0205-A 200/□5

CZ0205-A 250/□5

CZ0205-A 300/□5

CZ0205-A 400/□5

CZ0205-A 500/□5

CZ0205-A 600/□5

Connect to the secondary current transformer

5A
1A



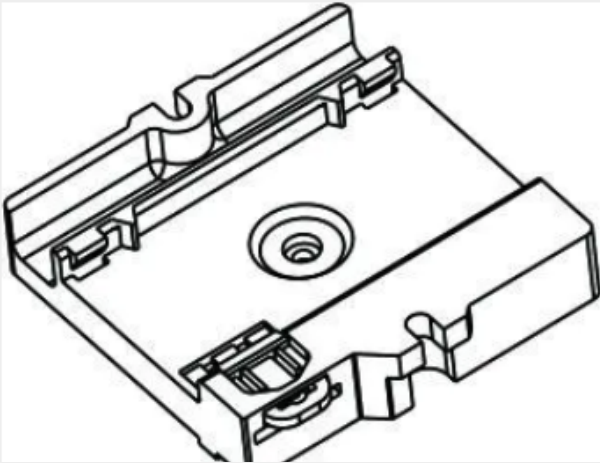
فرست اوتوماشن

Ammeter

Series CZ0205

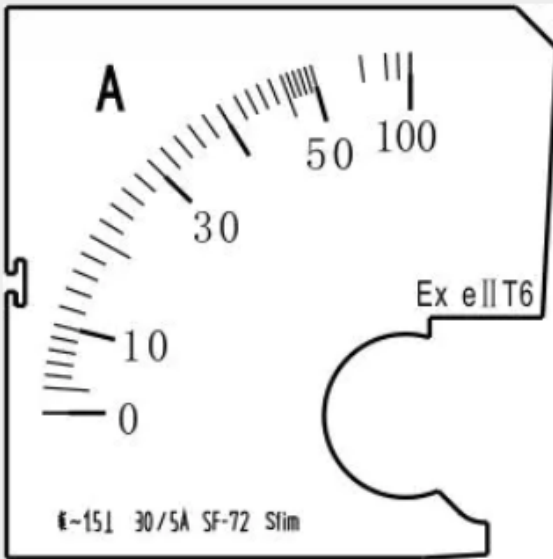


Accessories



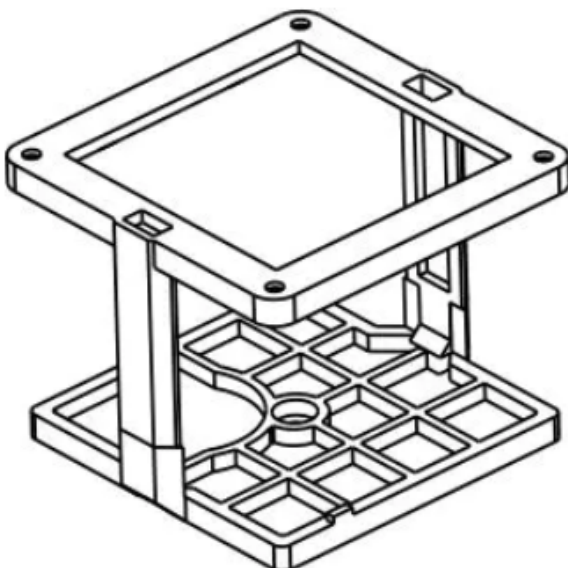
Used for meter rail mounting

0205-6WA



Alternative scale

0205-□/□-□



Used for meter panel mounting

0205-7WA