



فرست اوتوماشن

Distribution Panel

Series CE90



Prodcuts Features

- The distribution box could be portable or movable, which is easy to use.
- Equipped with electrically conductive thermoplastic rubble wheels (remove static electricity)
- Besides available standard configuration, also could do customization based on requirements.
- Degree of protection up to IP65/IP66
- IECEx International Approval, ATEX European Approval.





فرست اوتوماشن

Distribution Panel

Series CE90



Product Parameter

Product type:	Explosion-proof distribution panel (Moveable)
Certification:	CCC IECEX ATEX
Application range (zones):	2G/Gb/zone 1; 2D/Db/zone 21
Min.ambient temperature:	-20°C
Max.ambient temperature:	+55°C
Degree of protection:	IP66
Rated voltage:	220/230V, 380/400V
Rated current:	63A
Frequency:	50/60Hz
Material of enclosure:	aluminum-alloy
Material of moveable trolley:	SS 304



فرست اوتوماشن

Distribution Panel

Series CE90

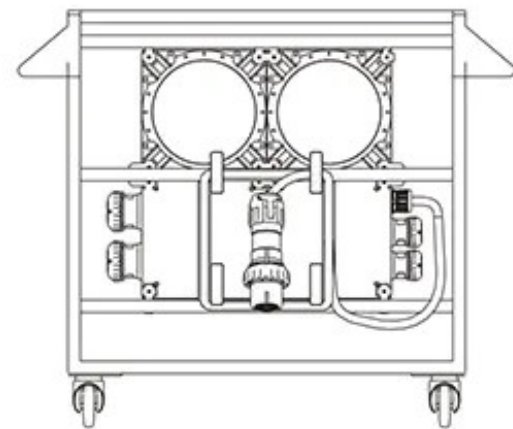
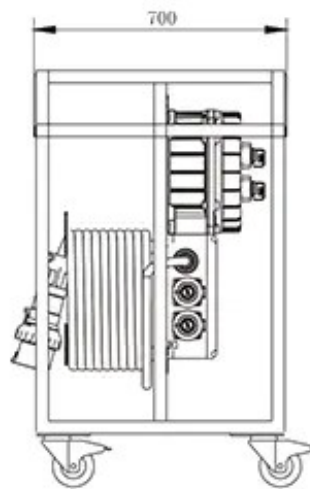
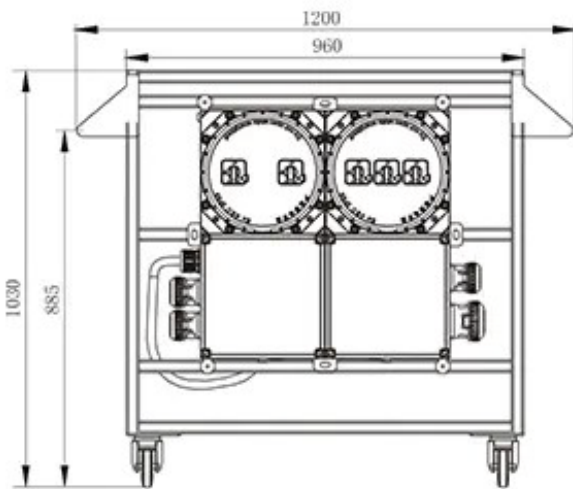


Illustration

Order No.



CE90/2-BCB-16-K0431-BT03



Contact

info@first-automation.com.eg/ • 01101619222 – 01100200886 • <https://first-automation.com.eg/>



فرست اوتوماشن

Distribution Panel

Series CE90



Optional Ex components



| CZ0220 Series Plastic stopping plugs, the reducer



| CZ0221 Metal cable glands



| CZ0220 Series Plastic cable glands, stopping plugs



| CZ0226 Increased safety cable glands



| CZ0527, CZ1725/27 Increased safety breathing, drainage valve



| CZ0227 Increased safety metal cable glands



| CZ1725/1C Metal cable glands



| CZ1725/2A Metal cable glands



| CZ1725/3A Metal stopping plug



| CZ1725/1A Metal cable glands



| CZ1725/4A The reducer



| CZ1725/1B Metal cable glands